

1

2

3

4

5

6

7

8

RevNo	Revision note	Date	Signature	Checked
-------	---------------	------	-----------	---------

A

A

B

B

C

C

D

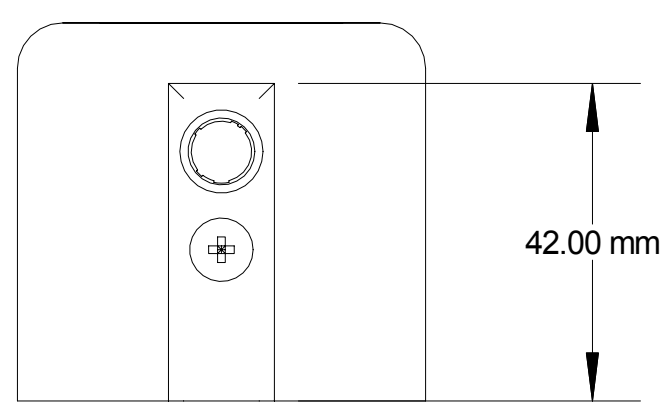
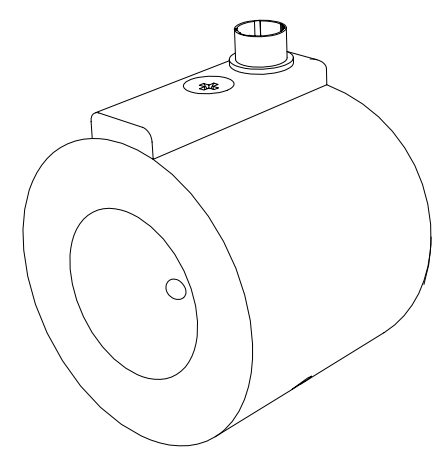
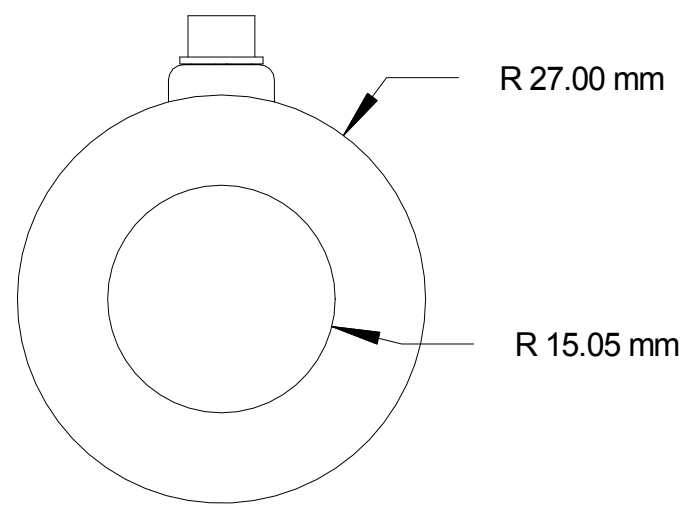
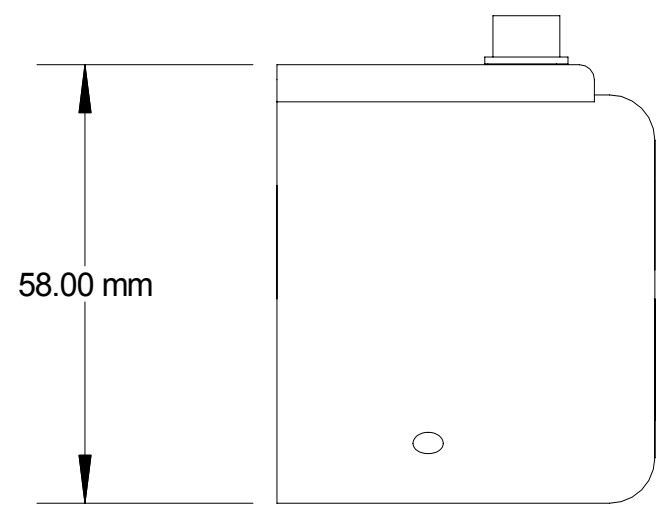
D

E

E

F

F



Itemref	Quantity	Title/Name, designation, material, dimension etc		Article No./Reference	
Designed by R.Alvarez Cabrera	Checked by XXX	Approved by - date RAC -10/24/08	Filename enc820.dxf	Date 10/24/08	Scale 00/00/00
<b>Geoscanners AB</b>			<b>ENC820</b>		
			M102408-001	Edition 1	Sheet 1/1

1

2

3

6

7

8